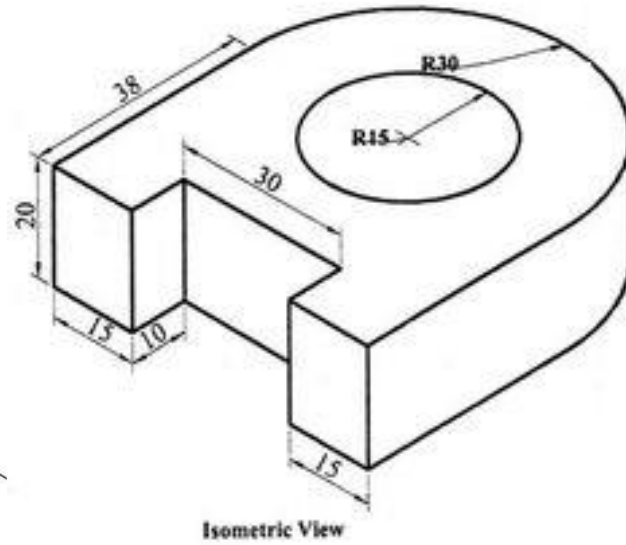
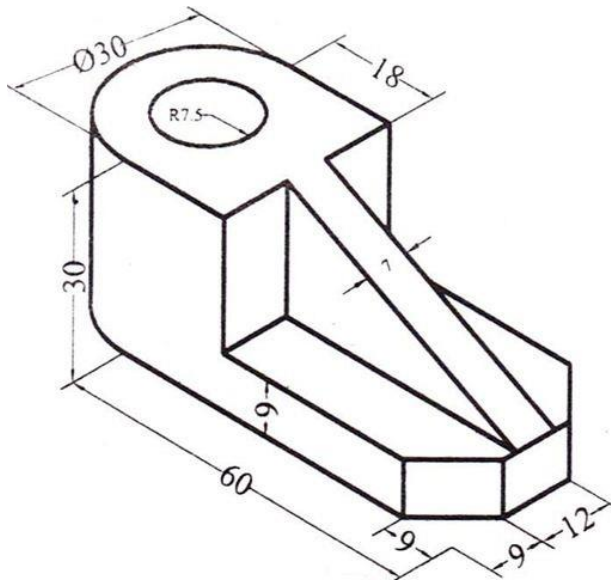


# AutoCAD ISO-Metric Drawings



Isometric View

